

D

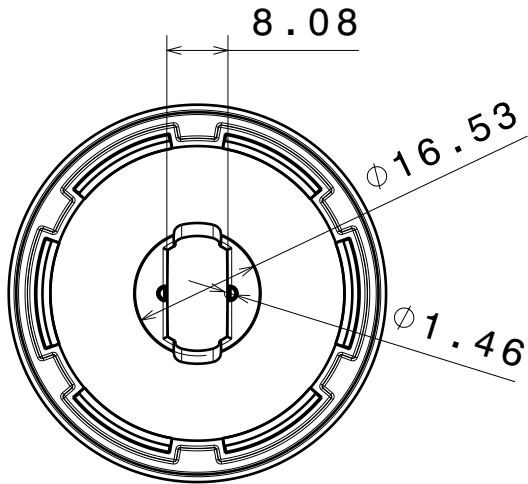
C

B

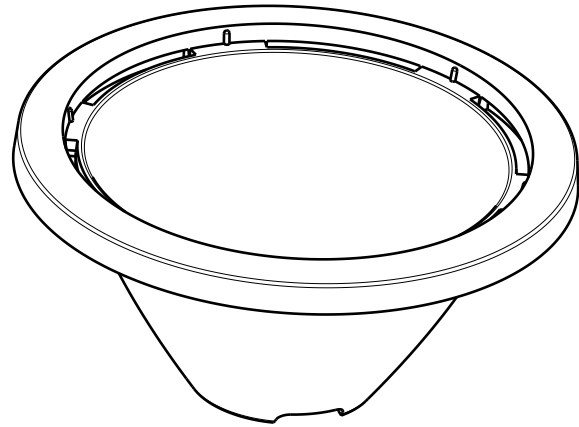
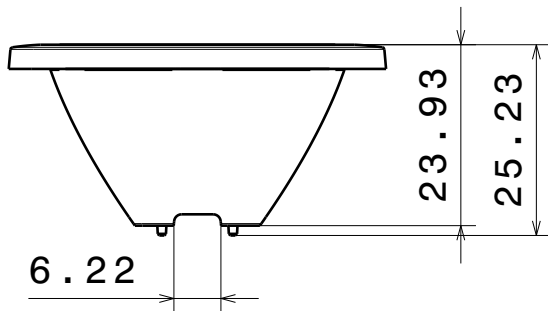
A

DATE

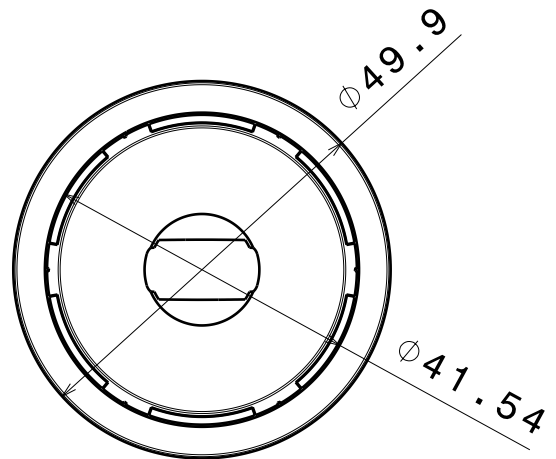
21.02.2019



Bottom view

Isometric view
Scale: 3:2

Front view



Top view

PART	TYPE	MATERIAL	COLOR / COATING
C12482_MIRELLA-50-W-PIN		PC	metal

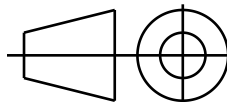
MECHANICAL DRAWING

PRODUCT

MIRELLA**LEDiL**®

Plastic moulding general tolerances according to DIN 16901-130 and applies if not otherwise shown in the drawing.
Silicone moulding general tolerances according to ISO 3302-1 Class M3 and applies if not otherwise shown in the drawing.

FIRST ANGLE PROJECTION:



This drawing is the property of LEDiL Oy. It may not be copied or otherwise distributed without prior written permission from LEDiL Oy.

SCALE

1:1

WEIGHT

-

A4

SHEET 1/1

D

A